

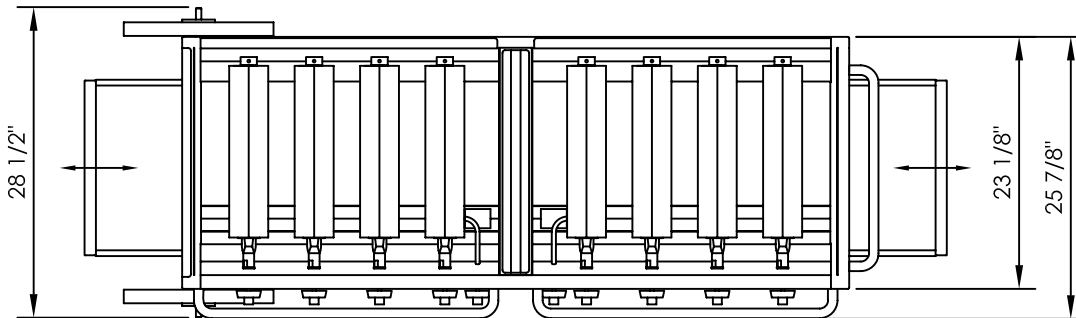
# MODEL MCB



## Specifications

Model	MCB-30	MCB-36	MCB-48	MCB/CCB-60	MCB-72
Number of Burners	4	5	6	8	10
BTUH	64,500	79,500	99,000	129,000	159,000
Actual Weight (lbs.)	127	143	176	215	253
Gas Connections (LP)*	1	1	2	2	2
Shipping Weight (lbs.)	209	225	258	297	335
Cooking Surface Dimensions	28"L X 21"D	34"L X 21"D	46"L X 21"D	58"L X 21"D	70"L X 21"D
Overall Dimensions	38"L X 28"D X 36"H	44"L X 28"D X 36"H	56"L X 28"D X 36"H	69"L X 28"D X 36"H	81"L X 28"D X 36"H

\*All units are available in natural gas models MCB-NG. All natural gas models come with a single gas connection and a 10 ft. quick disconnect hose.



MCB-	"X"
30	38"
36	44"
48	56"
60	69"
72	81"

