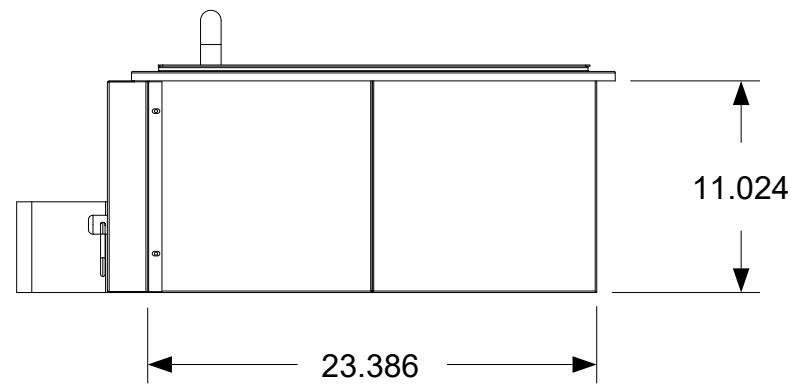
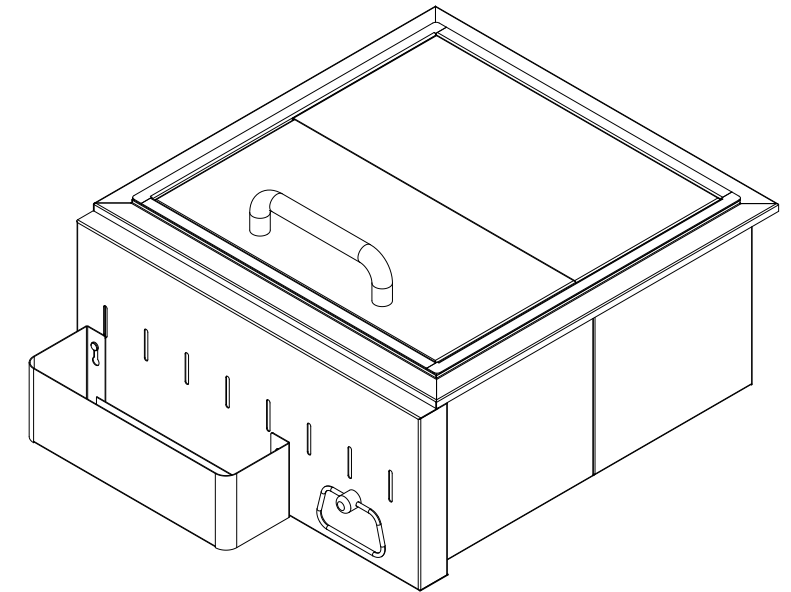
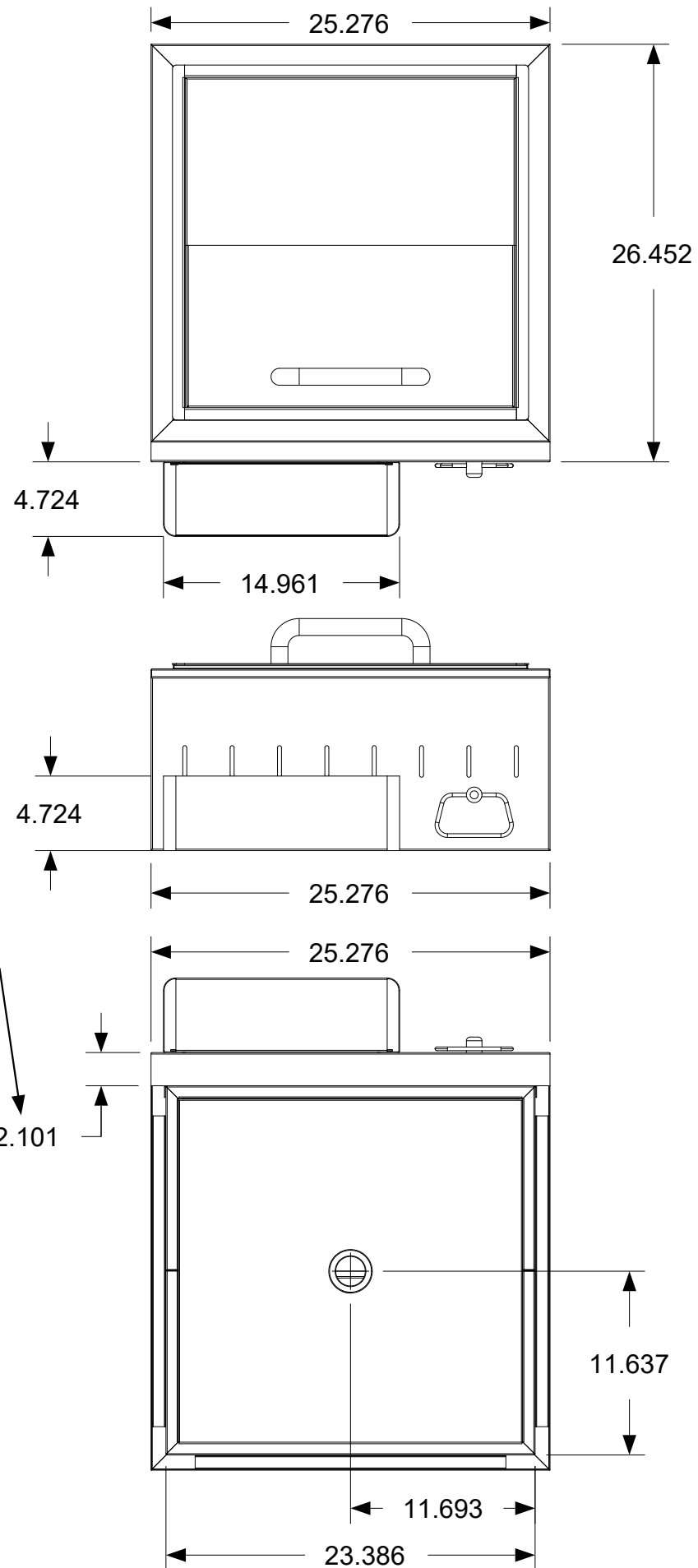


REVISION HISTORY			
REV	DESCRIPTION	DATE	APPROVED
-	Engineering Release	03/29/2018	Todd Stone



The dimensions shown are the actual physical dimensions of the Ice Chest. Additional clearances to the cabinetry are dependent on the tolerances of the cut-out. We recommend an additional .250 inches approximately per side but the openings can be made smaller if the tolerances are controlled.

The stated cut-out dimensions are 23.500 D X 23.5000 W X 11.250 H

If there is an overhang on the cabinetry top, the top will need to be notched 2.125 inches deep by 25.375 inches wide to allow the Ice Chest to mount flush to the face of the cabinet.

CROWN VERITY

37 Adams Blvd., Brantford, Ontario, N3S 7V8
P: (519) 751-1800 www.crownverity.com

Gauge	18 (.074)	Dimensions are in inches Linear Tolerance: +/- .015 Bend Tolerance: +/- .020 Angular Tolerance: +/- 0.5 Radial Tolerance: +/- .005
Weight (Kg)	N/A	
K Factor	.240	
Finish	#4	
Material	SS 304	
DRAWN BY: Todd Stone		

TITLE			
Ice Chest			
SIZE	Customer	DWG NO	REV
B	Crown Verity	CV-ICI	-
SCALE	1:10	03/29/2018	SHEET 1 of 1