

CROWN VERITY

MODEL# RG-SB-1 & RG-SB-2 CROWN VERITY SIDE BURNER OPERATING AND INSTALLATION INSTRUCTIONS

REVISED June, 2016



RETAIN FOR FUTURE REFERENCE. OBEY ALL SAFETY WARNINGS AND PROCEDURES.

Thank you for purchasing this product. With proper use, the RG-SB-1 & RG-SB-2 side burner will enhance the outdoor cooking experience for many years. Crown Verity Inc. is proud of this product and we hope you will enjoy using it.

FOR YOUR SAFETY

Do not store or use gasoline or other flammable vapors or liquids in the vicinity of this or any other appliance.

WARNING: Improper installation, adjustment, alteration, service or maintenance can cause property damage, injury or death. Read the installation, operating & maintenance instructions thoroughly before installing or servicing this equipment.



Intertek

This appliance is for operation outdoors only ANSI Z83.11/CSA 1.8



Intertek

INSTALLATION

The RG-SB-1 (single burner) & RG-SB-2 (dual burner) side burners are offered in built-in version only and are offered in both L.P. and Nat. gas.

Units are not supplied with a hose or a regulator, as installations will vary for built-in applications. In all cases, a qualified gas technician should perform the connection of a gas supply line. Do not permanently fasten the RG-SB-1 & RG-SB-2 unit into its opening; access to service points are gained from the bottom and the unit may need to be removed for servicing. Make service access possible when building the support structure and maintain clearances to combustibles as outlined below.

THE INSTALLATION OF THIS APPLIANCE MUST BE IN ACCORDANCE WITH:

1. All applicable local codes or in the absence of local codes:
 - a. Canada: must conform to current National Standard CAN/CGA B149.1&.2-natural gas/propane installation code.
 - b. U.S.A.: must conform to Nation Fuel Gas Code ANSI Z223.1/NFPA 54 Edition.
2. Use only hoses, regulators and quick disconnects supplied by Crown Verity. Regulators supplied with your charbroiler must be used.

WARNING!

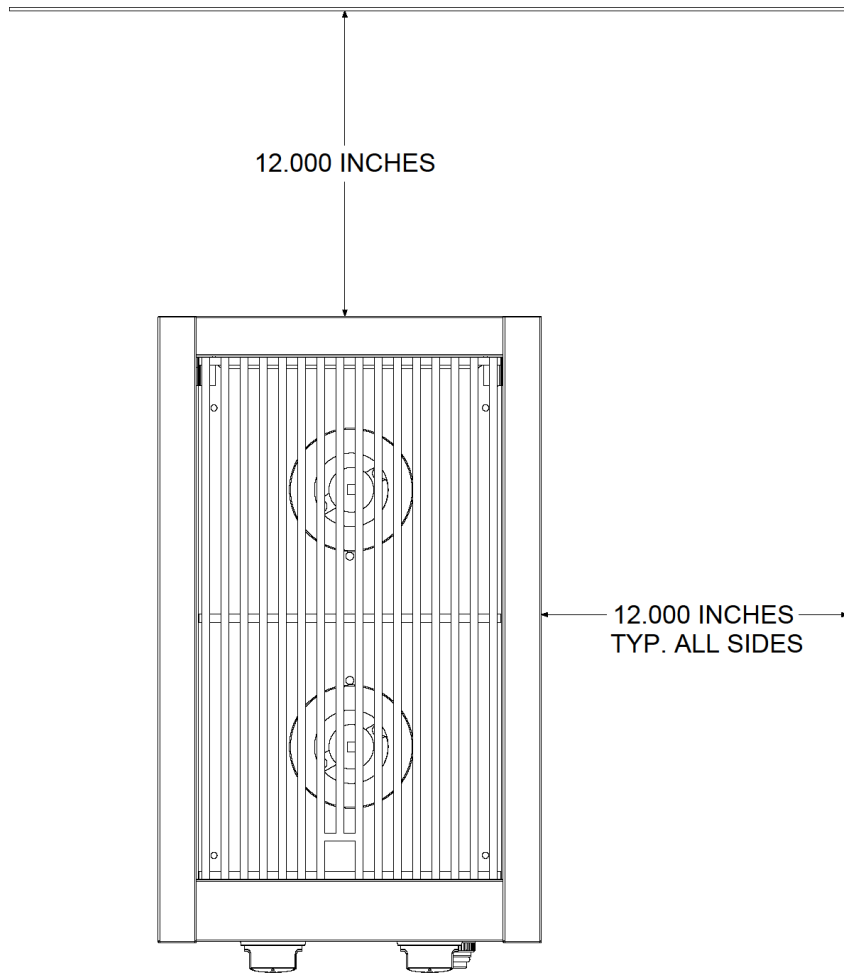
DO NOT operate the appliance under overhead, unprotected construction. This appliance shall be used only in a well ventilated space and shall not be used in a building, garage or any other enclosed area.

Minimum clearance to adjacent combustible materials (see figure 1.):

1. 12 inches from the side of the side-burner
2. 12 inches from the rear of the side-burner
3. Keep the area around the side-burner free of combustible materials such as grass, leaves, paper, gasoline and other flammable liquids or materials.

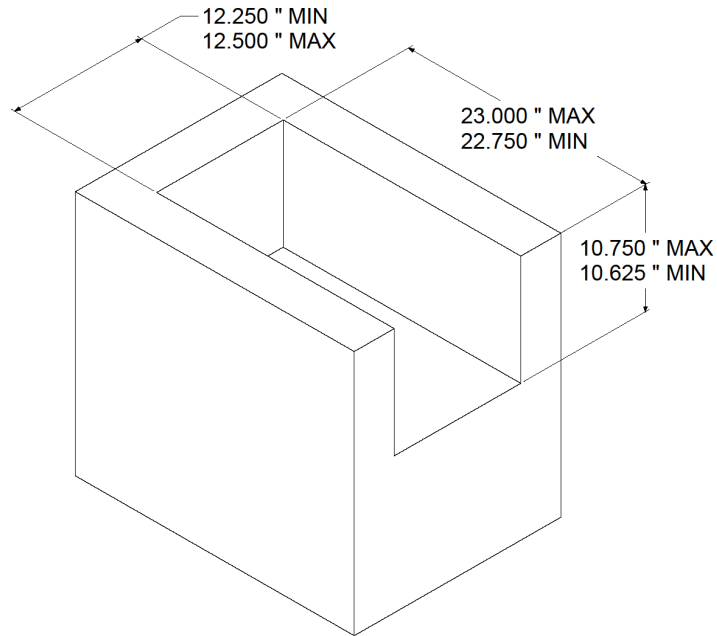
CAUTION: FOR FIXED FUEL SUPPLY SYSTEMS RE: PRESSURE TESTS

1. The appliance and its individual shut-off valve must be disconnected from the gas supply piping system during any pressure testing of that system at test pressures in excess of ½ PSI (3.45 kPa).
2. The appliance must be isolated from the gas supply piping system by closing its individual manual shut-off valve during any pressure testing of the gas supply piping system at test pressures equal to or less than ½ PSI (3.45 kPa).



CLEARANCES TO COMBUSTIBLE MATERIALS (FIG 1.)

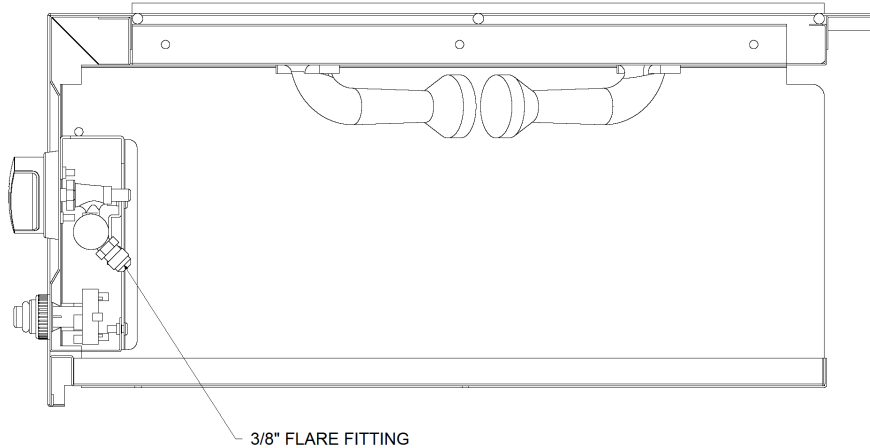
RG-SB-2 (Dual Side Burner Shown)



ROUGH-IN DIMENSIONS (FIG 2.)

Note: minimum spacing between all BI (Built In) components in any configuration is 3".

The gas supply inlet is located at the bottom of the manifold, inside the front of the side burner cabinet. It is pre-fitted with a 3/8" x 45 degree flare fitting and is ready to receive 3/8" flared copper tubing.



GAS INLET LOCATION (FIG 3.)

RG-SB-2 (Dual Side Burner Shown)

The supply pressure must be regulated according to the pressures indicated on the rating plate. The regulators that are supplied with all Crown Verity gas units are compatible with RG-SB-1 & RG-SB-2 side burners and could be used to regulate gas for the side burners. A "Tee" can be installed downstream of the regulator and copper tubing can then be used to connect the side burner.

It is very important that the side burner be connected to the correct type of gas and is regulated at the correct pressure. The rating plate on all RG-SB-1 & RG-SB-2 units contains this and other important information and must be observed.

Finally, before operating the side burner, perform a leak check by brushing on a soap and water solution at every joint and watch for growing bubbles that indicate a leak. Once you are confident there are no leaks, you may operate your new Crown Verity side burner.

START-UP

Electronically Lighting the Side Burner if equipped with spark ignition

1. Remove protective lid from unit
2. Stay clear of the side burner and do not bend over it directly when lighting
3. Ensure that all valve handles on the side -burner are in the OFF position (clockwise) before proceeding
4. Turn on the gas supply valve. WAIT 15 SECONDS.
5. Push and turn burner knob to on position (counter clockwise 90 °). Once on, immediately push and hold the ignition button located below the burner knob until the ring burner is lit (you will hear the arcing sound of the electrode and the ring burner should ignite). If ignition fails to light the burner after four (4) seconds stop and turn off valve.

NOTE: depending on the length of fuel line used to connect the Side Burner, sometimes air must be removed from the line before the unit will ignite. (Turn one burner valve on for 10 seconds then close and wait for 5 minutes for gas to clear before proceeding back to step #3)

6. Visually check to ensure the ring burner is burning. If the Ring burner does not light on the first try, repeat immediately.
7. If the ring burner does not light after three attempts, turn the burner knob to the OFF position. **Wait five minutes until the gas clears before proceeding to step #3.**
8. If the ring burner does not light, please try the manual lighting procedure below.
9. Upon successful lighting of the ring burner, the burner can now be adjusted as desired.

Repeat this procedure if your side burner is equipped with two burners.

Manual Lighting Procedure

1. Remove protective lid from unit.
2. Stay clear of the side burner and do not bend over it directly when lighting
3. Ensure that all valve handles on the side-burner are in the OFF position (clockwise) before proceeding
4. Turn on the gas supply valve. WAIT 15 SECONDS.
5. Push and turn burner knob to on position (counter clockwise 90 °).
6. Using a long book match or barbecue lighter light the burner through the grate.
7. Visually check to ensure the burner is lit.
8. Upon successful lighting of the ring burner, the burner can now be adjusted as desired.

SHUT DOWN

1. Turn all burner valves to off position
2. Turn the LP supply valve to the off position. For natural gas systems turn the gas supply to off position
3. Ensure all burners are extinguished
4. Install protective cover until future use.
5. Disconnect LP cylinder(s) from side burner when not in use
6. Take care; your side burner is still hot.

MAINTENANCE AND CLEANING

Very little maintenance is required to keep your RG-SB-1 & RG-SB-2 side burner in top operating condition. Periodic cleaning should be done to the cabinet, grate and the burner head.

Keep the area around the side-burner free of combustible materials such as grass, leaves, paper, gasoline and other flammable liquids or materials.

Do not obstruct the flow of air around the burner, vent holes on the front of the unit, or the openings in the corners of the recessed area and around the burner.

IF YOU SMELL GAS: Shut off all burners and pilots on all appliances. Shut off and disconnect all gas supply valves and hoses. Do not operate the appliance(s) until the problem is repaired. If the problem persists, immediately consult your gas installer. Keep the area free of any and all sources of ignition.

Instructions to be used in the event that you smell gas, should be posted in a prominent location. This information can be obtained from your local gas supplier.

WARNING! – NATURAL HAZARD – SPIDERS Spiders and other insects are attracted to the smell of gas and could make webs or nests in the burners. This could partially or completely block the flow of gas through the venturis and is indicated by a smoky yellow flame and/or a burner that is impossible to light. Ultimately, it may cause the gas to burn outside of the venturis which can seriously damage your grill. If this happens, immediately shut-off the propane at the cylinder or for natural gas at the main shut-off valve. To prevent and or correct the occurrence, periodically check the venturis for obstructions.

A leak test should be performed at least once a year (follow the procedure below). Do not operate your side burner if there is evidence of a gas leak. The equipment must be repaired before you can resume use. Always inspect the hoses before each use for evidence of cracks or other damage. Repair / replace damaged hoses or other components before use.

LEAK TESTING

Leak testing must be performed:

1. Before lighting your side-burner for the first time.
2. Every time the propane cylinder is refilled or any gas component is changed.
3. At least once per year.

Perform the leak test outdoors in a well ventilated area, away from any open flame, heat or ignition source. **DO NOT SMOKE!** Use only A 50/50 mixture of liquid soap and water for leak testing. Do not use a match or open flame.

THE FOLLOWING MUST BE CHECKED:

- Cylinder valve including threads into tank.
- All cylinder welds.
- Regulator fitting(s) and cylinder connections.
- All hose connections.
- All valve connections.

Procedure

1. Open the gas supply valve to the side-burner.
2. Brush the soap solution onto all connections and components listed above.
3. Observe each place for the formation of growing bubbles which indicates that a leak is present.
4. Tighten any leaking connections until a repeat test shows no evidence of leakage (shut off gas supply while correcting leaks)

DO NOT USE THE SIDE-BURNER IF ANY LEAKS CANNOT BE STOPPED. TURN OFF THE GAS SUPPLY VALVE, REMOVE ANY GAS CYLINDERS AND CALL A QUALIFIED GAS APPLIANCE SERVICE PERSON FOR PROPER REPAIRS.