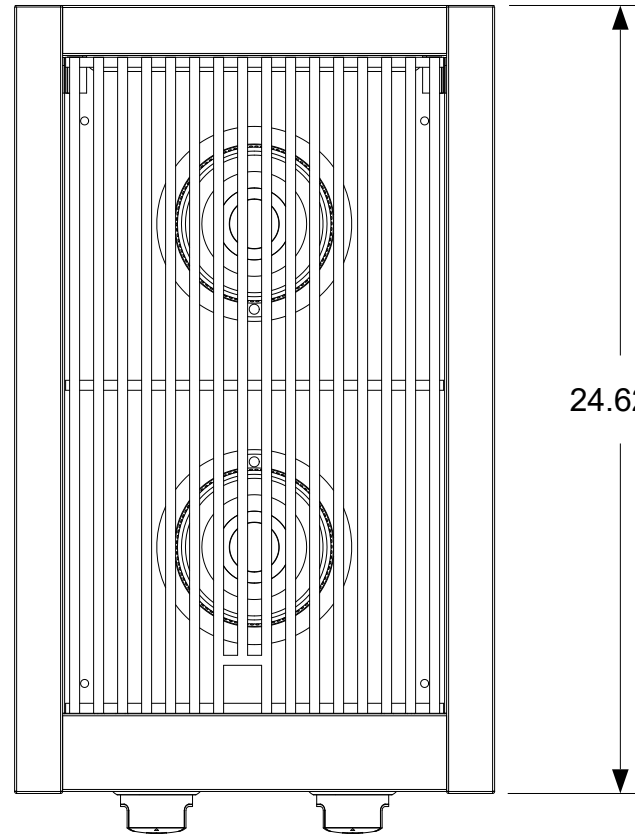


REVISION HISTORY			
REV	DESCRIPTION	DATE	APPROVED
-	Engineering Release	04/30/2019	Todd Stone

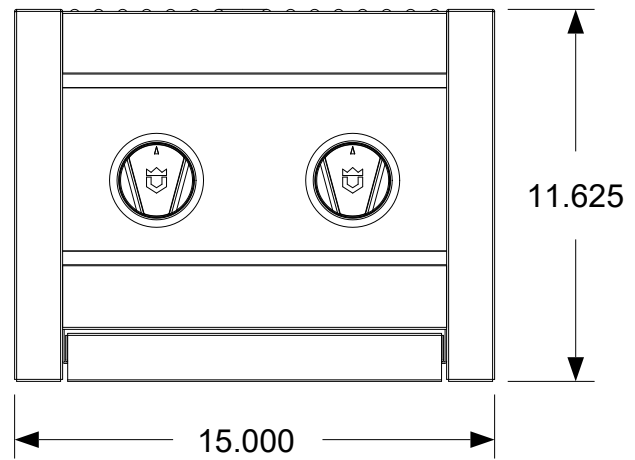
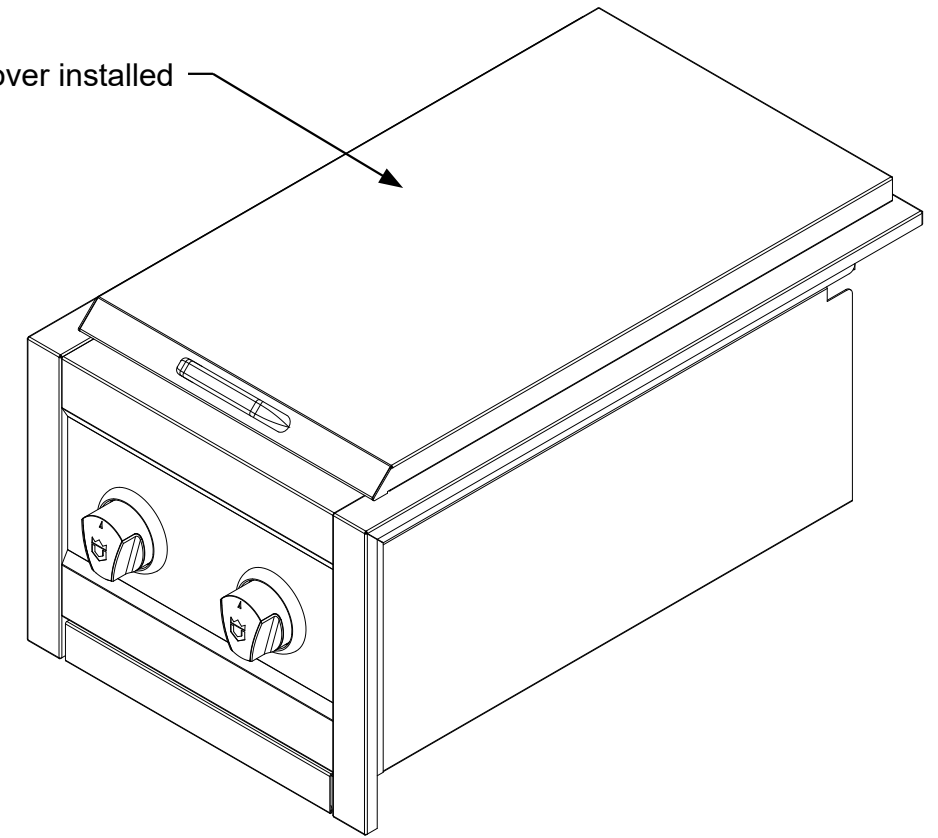


24.625

The dimensions shown are the actual physical dimensions of the side burner. Additional clearances to cabinetry are dependent on the tolerances of the cut-out. We recommend an additional .250 inches per side but the opening can be made smaller if the tolerances are controlled.

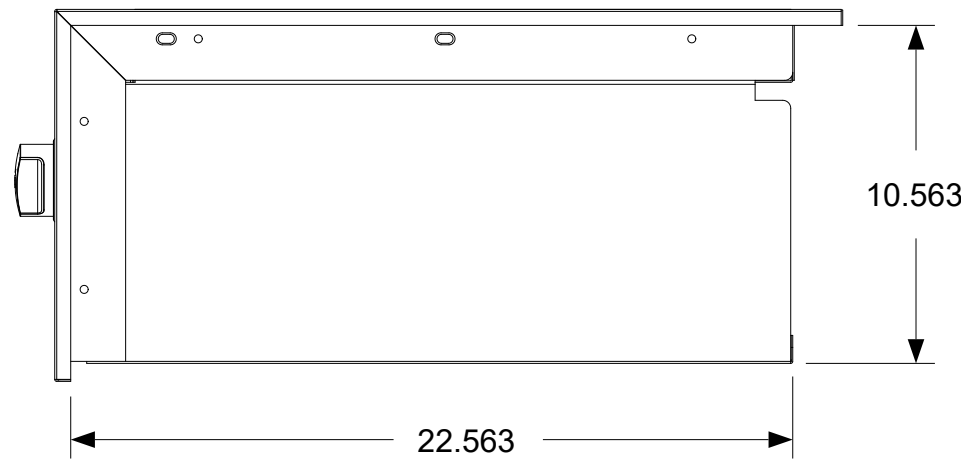
Please refer to the installation manual for additional clearances to combustibles.

Shown with cover installed



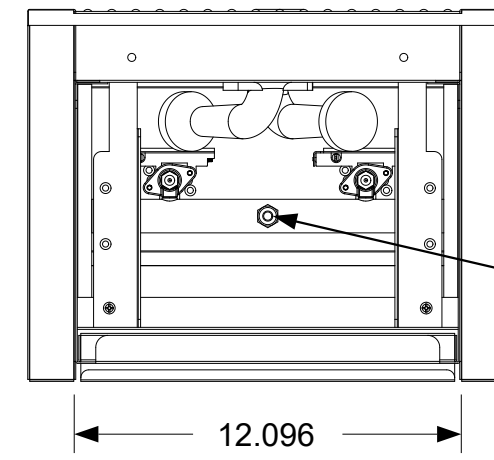
11.625

15.000



10.563

22.563



12.096

Connects to gas supply with a 48 inch hose fitted with two 3/8 NPT female flare fittings

CROWN VERITY

37 Adams Blvd., Brantford, Ontario, N3S 7V8
P: (519) 751-1800 www.crownverity.com

Gauge	N/A	Dimensions are in inches Linear Tolerance: +/- .015 Bend Tolerance: +/- .020 Angular Tolerance: +/- 0.5 Radial Tolerance: +/- .005
Weight (Kg)	N/A	
K Factor	N/A	
Finish	#4	
Material	SS 304	
DRAWN BY: Todd Stone		

TITLE			
Estate Side Burner-Dual			
SIZE	Customer	DWG NO	REV
B	Crown Verity	ES-SEB-B12	-
SCALE	1:6	04/30/2019	SHEET 1 of 1